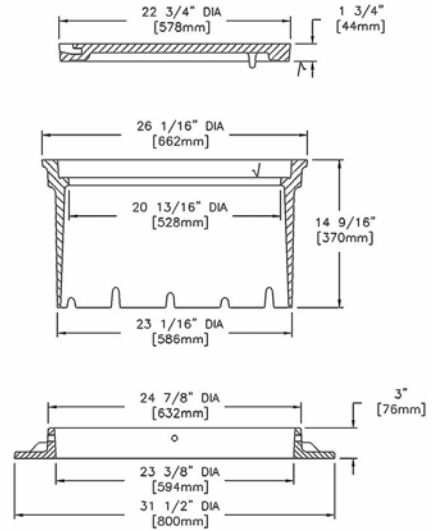


1510 FRAME & COVER

Heavy duty
 Machined bearing surfaces
 Adjustable manhole
 Accepts 1020 covers and grates

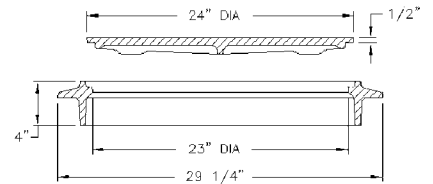
Options
 Custom logo covers
 Special lettered covers
 Watertite assembly
 Adjusting risers
 Gasket seal



1515 FRAME & COVER

Light duty
 Machined bearing surfaces

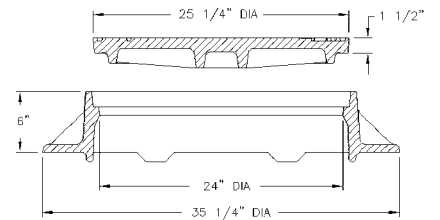
Options
 Solid or vented covers
 Custom logo covers
 Special lettered covers
 "DUMP NO WASTE!" lettering
 and fish image



1520 FRAME & COVER

Heavy duty
 Machined bearing surfaces

Options
 Special lettered covers
 Adjusting risers



Supplied By:

**TRENCHDRAIN
 SUPPLY**

877-903-7246

www.trenchdrainsupply.com

